

PRECISION LATHES

TK450 / TK540 / TK630

TK770N / TK840N

PRO-TAKANG

CNC-TAKANG CO., LTD.

MANUFACTURER & EXPORTER

PRO-TAKANG

NEW GENERATION OF (TAKANG) CONVENTIONAL LATHES

FEATURES:

1. Better design on headstock
2. With new system of speed-change.
3. Wider teeth of gear sets on headstock.
4. Higher spindle speeds, TK450 with 39-2800rpm (18steps)



Feature 3

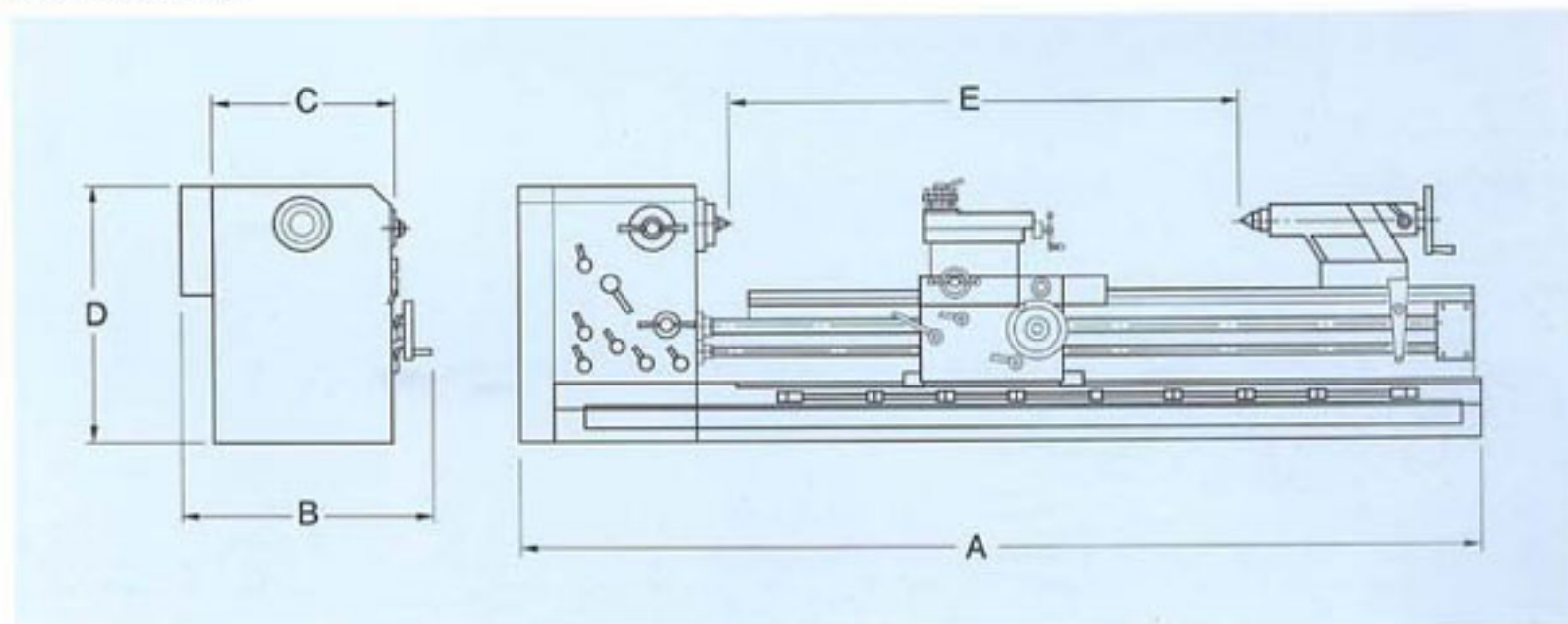


TK-450



TK-540

DIMENSION:



Item Model	A	B	C	D	E
TK450X1000	2190 mm	820 mm	480 mm	1250 mm	1000 mm
TK450x1500	2690 mm	820 mm	480 mm	1250 mm	1500 mm
TK450x2000	3190 mm	820 mm	480 mm	1250 mm	2000 mm
TK540/630x1000	2190 mm	845 mm	505 mm	1300/1350 mm	1000 mm
TK540/630x1500	2690 mm	845 mm	505 mm	1300/1350 mm	1500 mm
TK540/630x2000	3190 mm	845 mm	505 mm	1300/1350 mm	2000 mm
TK540/630x3000	4160 mm	845 mm	505 mm	1300/1350 mm	3000 mm

High Speed Precision Lathes

Model: TK770N

Spindle Bore: 105mm/153mm (Opt.)

Swing Over Bed x Between Center: 770x1600/2100/3100/4100/5100/6100mm

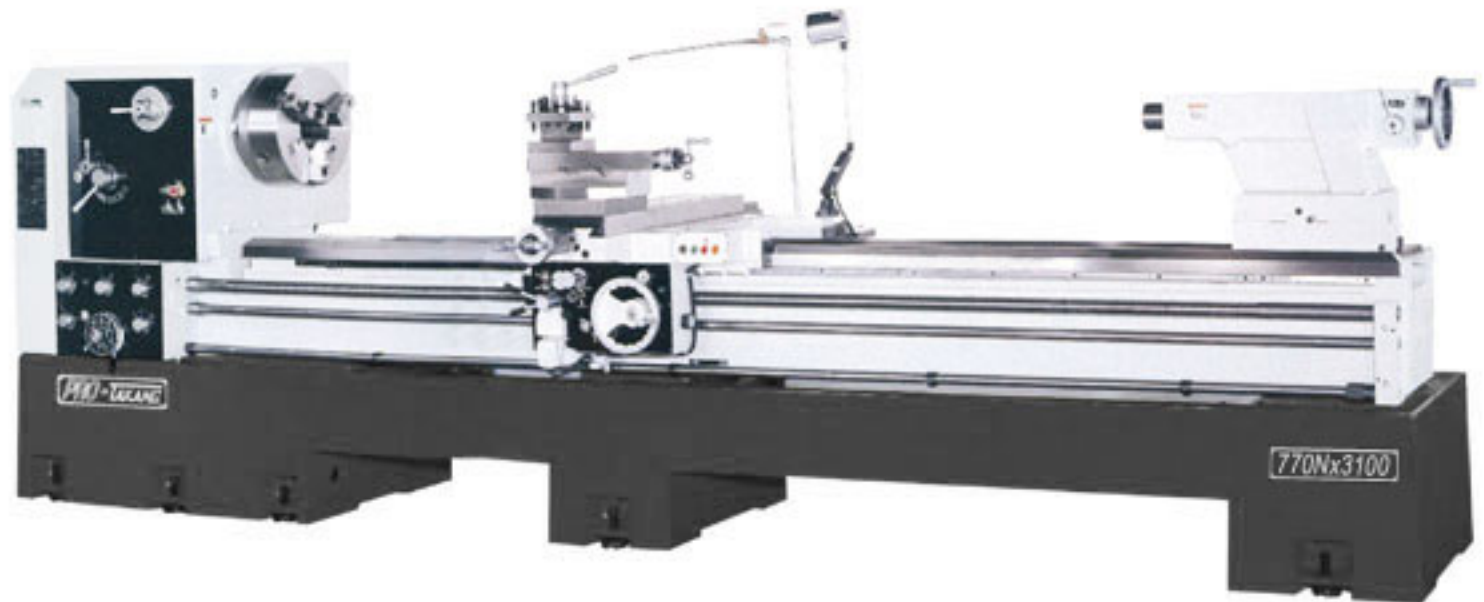
18 Steps Spindle Speeds: 23~1290rpm/13~690rpm

Model: TK840N

Spindle Bore: 105mm/153mm/230mm(Opt.)

Swing Over Bed x Between Center: 840x1600/2100/3100/4100/5100/6100mm

18 Steps Spindle Speeds: 23~1290rpm/13~690rpm/8~408rpm



- The inverter lathes are not only being with performance & features as conventional lathes, but also with following features.
- Spindle shifting speed in 3 steps and also speed change in infinitely variable.
- Spindle shifting speed can be made in auto electro speed changing.
- Turning processing control is more convenient than conventional lathes and spindle speed can be indicated on the rpm meter.
- The stop braking is controlled by inverter quickly of stop braking.
- Being with fixed spindle speed by cross slide lever for feeding, similar to fixed speed cutting (similar to CSS function) to achieve cutting accuracy and speed for side face of round plate.
- During making step turning, which can be employed auto cross feeding so that the spindle speed will be auto speed changing to couple with feeding and achieved the rapid effect.



SPECIFICATION:

DESCRIPTION \ MODEL		TK450 X1000/1500/2000	TK540 X1000/1500/2000/3000	TK630 X1000/1500/2000/3000
CAPACITIES	Swing over bed	450mm (18")	540mm(21")	630mm (25")
	Swing over cross side	280mm (11")	360mm (14")	450mm (17.7")
	Swing over gap	640mm (25") OPT	680mm (26.7") OPT	770mm (30.3") OPT
	Between centers	1000/1500/2000 (40", 60", 80")	1000/1500/2000/3000 (40", 60", 80", 120")	1000/1500/2000/3000 (40", 60", 80", 120")
HEADSTOCK	Spindle bore	56mm (2-1/8")	85mm (3-1/3"), 105mm (OPT)	85mm (3-1/3"), 105mm (OPT) / 153mm (OPT)
	Spindle nose	D1 - 6	D1 - 8, A2-11 (OPT)	D1 - 8, A2-11 (OPT)
	Spindle speeds (steps)	39 - 2800rpm (18)	24-1520rpm (18)	24-1520rpm (18)
	Spindle motor (Option)	7.5 HP (10 HP)	10 HP (15 HP)	10 HP (15 HP)
THREADS	Lead screw	6mm / pitch (4TPI)	6mm / pitch (4TPI)	6mm / pitch (4TPI)
	Metric/pitch, range (numbers)	0.5 - 7mm (24)	0.5 - 7 mm (24)	0.5 - 7 mm (24)
	Inch, range (numbers)	4 / 56TPI (36)	4 / 56 TPI (36)	4 / 56 TPI (36)
	Module/pitch, range (numbers)	0.25 – 3.5M (16)	0.25 - 3.5 M (16)	0.25 - 3.5 M (16)
	DP, range (numbers)	8 – 112P (36)	8 - 112P (36)	8 - 112P (36)
FEEDING RANGE	Longitudinal feeds, mm / rev.	0.06 - 0.88	0.06 - 0.88	0.06 - 0.88
	Cross feeds, mm/ rev.	0.03 - 0.44	0.03 - 0.44	0.03 - 0.44
TAILSTOCK	Quill dia. / Center taper	75mm (2.95") / MT5	75mm (2.95") / MT5	75mm (2.95") / MT5
	Travel	170mm (6.69")	170mm (6.69")	170mm (6.69")
MISCELLANEOUS	Bed width	350mm (14")	350mm (14")	350mm (14")
	Cross slide travel	280mm (11")	305mm (12")	330mm (13")
	Compound rest travel	120mm (4.7")	150mm (5.9")	150mm (5.9")
	Coolant pump motor	1 / 8 HP	1 / 8 HP	1 / 8 HP
	Packing size, mm	2290 x 1150 x 1600 2790 x 1150 x 1600 3290 x 1150 x 1600	2290 x 1150 x 1750 2790 x 1150 x 1750 3290 x 1150 x 1750 4290 x 1150 x 1750	2290 x 1200 x 1800 2790 x 1200 x 1800 3290 x 1200 x 1800 4290 x 1200 x 1800
	Gross weight	2300 / 2600 / 3200 Kgs	2700/3000/3300/3400 Kgs	2850/3050/3550/3750 Kgs

※THE SPECIFICATIONS ARE SUBJECT TO CHANGE WITHOUT PRIOR NOTICE.

STANDARD ACCESSORIES:

1. Center sleeve & Centers
2. Quartz work light
3. Thread chasing dial
4. Coolant system
5. Tool box with tools
6. Manual

OPTIONS:

1. 3-jaw chuck
2. 4-jaw chuck
3. Face plate
4. Bigger spindle motor
5. Steady rest
6. Follow rest
7. Micro bed stop

8. Turret type 4 position bed stop
9. Quick change tool post
10. Taper attachment
11. Splash guard
12. CE mark
13. Inverter & Auto spindle Speed 3 steps
14. 105mm (4") Spindle bore (A2-11, 23-1290 RPM) for TK540 / TK630 Series
15. 153mm (6") spindle bore (A2-11, 15-840 RPM) for TK630

SPECIFICATION

	TK-770N		TK-840N		
General Capacity					
Center height	385mm		420mm		
Max. swing over bed	770mm		840mm		
Max. swing over gap	980mm (Opt.)		1020mm (Opt.)		
Max. swing over cross slide	500mm		570mm		
Distance between centers(mm)	1600/2100/3100/4100/5100/6100		1600/2100/3100/4100/5100/6100		
Main Spindle					
Spindle nose	A2-11		A2-11		A2-15
Spindle bore	105mm	153mm	105mm	153mm	230mm
Spindle speeds (18 steps)	23-1293rpm	13-690rpm	23-1293rpm	13-690rpm	8-408rpm
Carriage					
Gross slide travel	450mm				
Compound rest travel	250mm				
Tailstock					
Tailstock spindle dia.	150mm				
Tailstock spindle travel	220mm				
Tailstock spindle taper	MT5				
Bed					
Bed width	450mm				
Threading					
Lead screw	2TPI or 12mm/pitch				
Metric pitch threads	0.08-14mm/pitch (65 kinds)				
Inch threads	2-28TPI (36 kinds)				
Module pitch threads	0.5-7M (22 kinds)				
DP threads	4-56TPI (36 kinds)				
Feeding Range					
Range of longitudinal feeds	0.05-0.70mm/rev.				
Range of cross feeds	0.025-0.35mm/rev.				
Motor					
Main spindle motor	15HP/20HP (Opt.)				
Rapid feed motor	1/4HP				
Coolant pump motor	1/8HP				
Machine Weight					
Net weight (kg)	3350/3600/4100/4600/5100/5700		3450/3700/4200/4700/5200/5800		

※THE SPECIFICATIONS ARE SUBJECT TO CHANGE WITHOUT PRIOR NOTICE.

STANDARD ACCESSORIES:

1. Center sleeve
2. Center
3. Tool box & tools
4. Main drive motor
5. Coolant equipment

OPTIONS:

1. Steady rest
2. 3 Jaws scroll chuck
3. Micrometer bed stopper
4. Quick change tool post
5. Follow rest
6. Gap bed
7. Taper attachment
8. Face plate
9. 4 jaws independent chuck
10. Turret type 4 position bed stopper
11. Work light
12. CE conformity
13. Rotating center
14. Splash guard
15. Magnetic brake